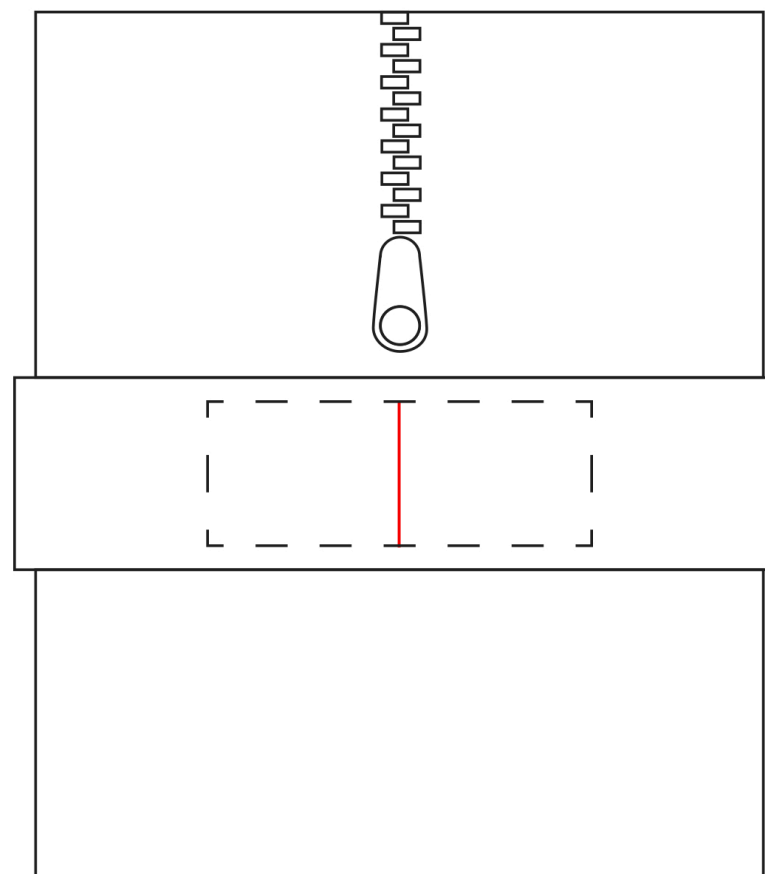
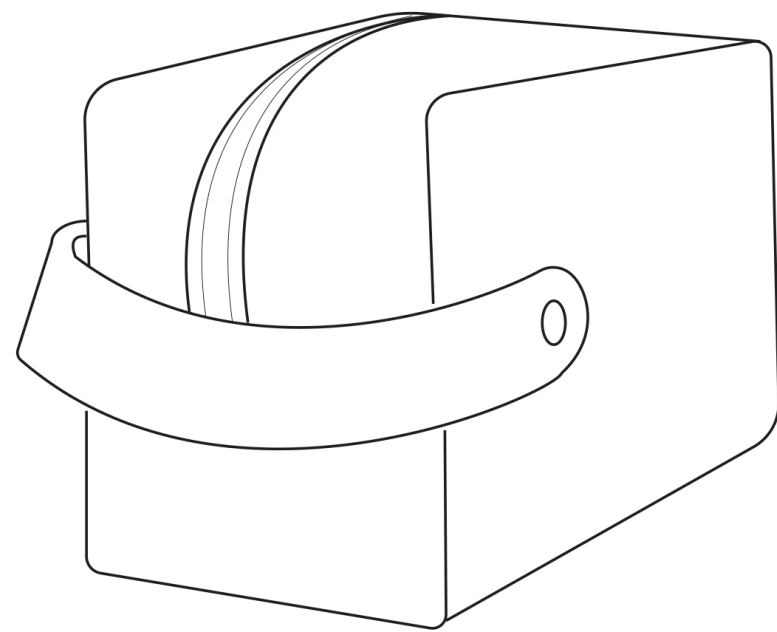


CORIUM Custom Order Specs

	Client:		Leather:		Project #:	
	Project Manager:		Foil:		Quantity:	
	Date:		Hardware:		Ship Date:	
	Customer PO:		Thread:		Deadline:	



Item SKU:	COR2634	Ship to:
Size:		
Art Specs:		
Notes:		

ARTWORK TO SCALE